

# EZ-SP

**Eight-character, seven-segment, super bright 0.52" LED display**



**1x16 LCD display**

**Five user-defined pushbuttons**

## Overview:

The EZ-SP (Set Point) panel is a low cost but high performance driven interface for data display and operator control. The EZ-SP comes with super bright, seven segment numeric LEDs for viewing data and adjusting setpoints. The 1x16 LCD screen display can be used to display a message associated with the numerical display, and there are five control pushbuttons that can be used for message viewing and data input. Using EZText Enhanced software, you can configure up to 256 data fields to be displayed via the LCD or LED display.

## Front Panel Descriptors:

### LCD Display

The EZ-SP has one message line which can display up to 16 characters. Messages will be displayed based on the data displayed in the 8-position LED numerical display. You don't need to create a label to describe the data. All you have to do is use the software to program the message of the label to be displayed with the data. When configured, this display will show values from PLC registers.

### Control Pushbuttons

There are five control pushbuttons on the front of the panel. When configured using the EZText Enhanced programming software, a message can be set using the arrow pushbuttons. The operator can press the arrow buttons to increment or decrement the numeric value. The value will be updated in the PLC only after the enter button has been pressed. The "esc" button will abort or cancel the adjustment without setting the PLC.

### Numeric Display

The EZ-SP has an eight-position numeric display with seven segment, super bright intensity LEDs which makes them easy to view. When configured, this display will show values from PLC registers.



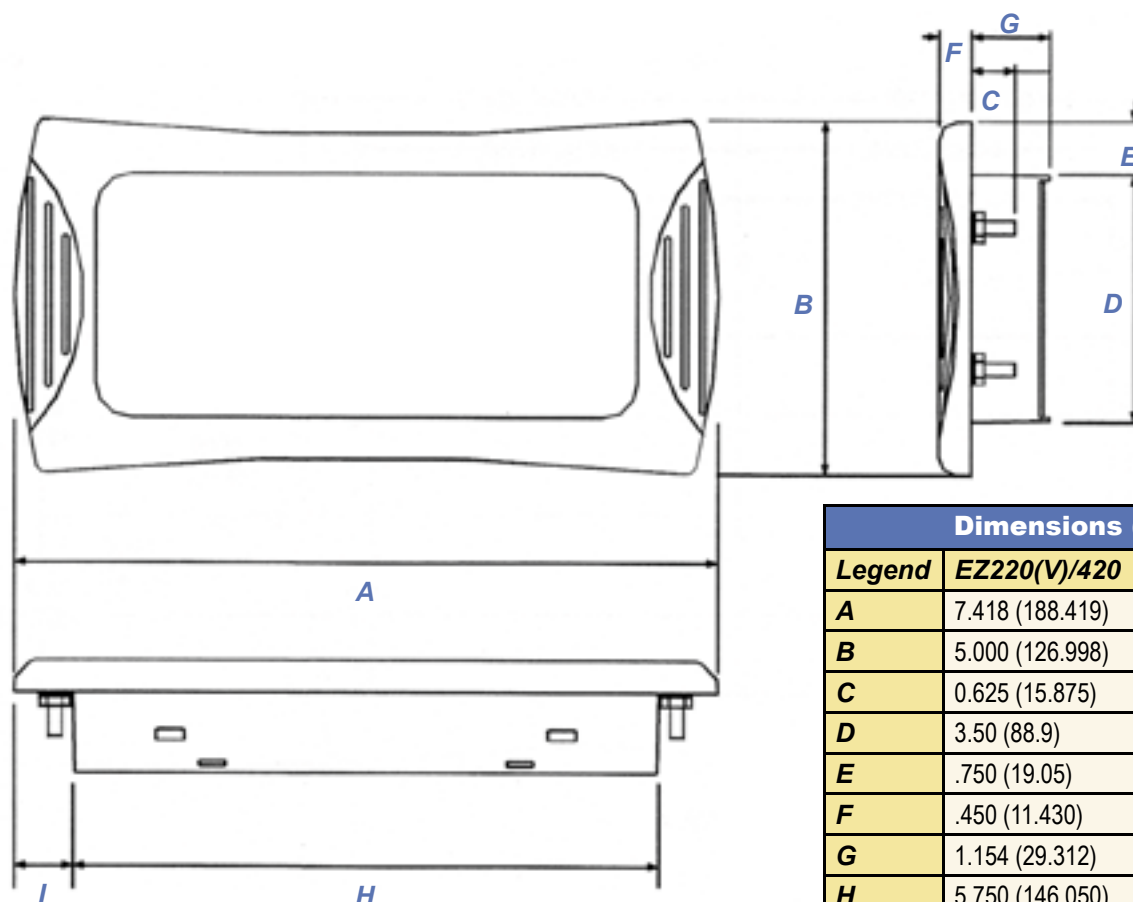
Part Number	Description
EZ-SP	1x16 LCD display, 8-digit LED display, five control pushbuttons



# Dimensions and Installation

All EZText Enhanced panel's backs are rectangular in shape. They are mounted and secured on the surface with screws and DIN clips. The four screws and the rubber gasket provide a seal between the bezel and mounting surface.

We also provide alternative mounting solutions for panels. We can provide you with optional DIN clips, which are metal brackets that attach to the panel and secure the front panel to a mounting surface with a screw.



Dimensions (inch, mm)		
Legend	EZ220(V)/420	EZ220L/220P(V)/SP
<b>A</b>	7.418 (188.419)	10.018 (254.458)
<b>B</b>	5.000 (126.998)	5.000 (126.998)
<b>C</b>	0.625 (15.875)	0.625 (15.875)
<b>D</b>	3.50 (88.9)	3.50 (88.9)
<b>E</b>	.750 (19.05)	.750 (19.05)
<b>F</b>	.450 (11.430)	.450 (11.430)
<b>G</b>	1.154 (29.312)	1.154 (29.312)
<b>H</b>	5.750 (146.050)	8.350 (212.090)
<b>I</b>	.834 (21.184)	.834 (21.184)

Mounting Accessories	
Part Number	Description
<b>EZ-TEXT-S-GSK</b>	Standard replacement gasket (small) for EZ-220 and EZ-240
<b>EZ-TEXT-L-GSK</b>	Standard replacement gasket (large) for EZ220L, EZ220P and EZ-SP
<b>EZ-BRK-2</b>	DIN clips (pk. of 4)
<b>EZ-TEXT-STUDS</b>	Mounting studs (pk. of 4)
<b>EZ-COMCON3</b>	15-pin male D-sub connector with terminal blocks, for connecting RS422 network cable from EZTouch or EZText panels
<b>EZ-COMCON4</b>	9-pin female D-sub connector with terminal blocks
<b>EZ-TEXT-CORE</b>	EZText replacement ferrite cores
<b>EZ-TEXT-PWRTERM</b>	EZText replacement power terminal strip
<b>EZ-TEXT-M-E</b>	Hardware Manual For All EZText Enhanced panels (EZ-220, EZ-420, EZ-220L, EZ-220P, EZ-220V, EZ-220V, and EZ-220PV) except EZText Setpoint Panels. Hardware and User Manuals Included with every EZText Enhanced Panels
<b>EZ-TEXT-SP-M-E</b>	Hardware Manual for EZText Enhanced Setpoint panel (EZ-SP) Only. Hardware and User Manuals Included with every EZText Enhanced Panels
<b>EZ-TEXTEDIT-E</b>	Windows based Programming software for all EZText Enhanced panels. Requires Windows 95/98/NT or 2000. Manual and CD-ROM included
<b>EZTEXT-PGMCBL</b>	Programming cable for setup and programming for all EZText Enhanced panels. 2 m (6.56ft) RS232 cable with 15-pin D-shell male connector on one end and 9-pin D-shell female connector at the other end.