

EZ-220/220V/420/220L

PLC message LED

2x20 VFD or LCD display



Four control pushbuttons

Five user-defined pushbuttons

EZ-220V



EZ-220



EZ-420



EZ-220L

Overview:

The EZ-220 (5.5mm character) and EZ-220L (8.06mm character) come with a two line 2x20 LCD display, pushbuttons with LEDs, and control pushbuttons. The EZ-420 (4.75mm character) comes with a four line LCD display, and the new EZ-220V comes with a bright two line Vacuum Fluorescent display with 5.5mm characters with a wider viewing angle of ± 60 degrees. Pushbuttons are used to control tasks or initiate an event in the PLC and in this way you can also monitor the bit condition in the ladder logic program. There are five function pushbuttons with LEDs and four control pushbuttons.

Front Panel Descriptions: LCD or VFD display

There are two kinds of messages that can be viewed on the screen of these models: local and PLC. When the machine is running in the normal mode, the local messages are displayed. The messages are viewed in tree structure format. A message beginning with “+” indicates a folder and when you select it by pressing enter, all the associated messages can be viewed.

The PLC message is displayed whenever PLC triggers a message, the PLC message light will illuminate and the previous message on the display will be overwritten by the PLC message. The display will return back to the previous message after the PLC message is acknowledged.

There are three types of messages (Static, Dynamic or interactive) that may be configured in the EZText Enhanced and you can store up to 256 messages.

Control Pushbuttons

To scroll through the messages you have the convenience of four control pushbuttons. Not only can you view the message, but if the message has any embedded data that can be changed, the buttons can be used to adjust the values of this as well. The value will be updated in the PLC only after the enter button has been pressed. The ESC button will abort or cancel the changes without changing the PLC value.

User-Defined Pushbuttons

We provide you with five blank labeled, user defined pushbuttons. This provides you with the flexibility to custom label the pushbuttons and configure them as alternate, momentary, or alternate with PLC release.

Pushbuttons with LEDs

Above each pushbutton there is an associated LED. These buttons can be programmed to show various states or they can be programmed to be controlled by discrete bits in the PLC program. When push buttons are pressed, the three different control types (alternate, momentary, or alternate with PLC release) will determine the LED response. You can also program the LED to flash.

PLC Message LED

The panel has a PLC message LED. The LED will illuminate to indicate that the PLC has triggered a message that will be displayed in the LCD window. The LED will turn OFF when the ESC pushbutton is pressed.

Part Number	Description
EZ-220V	2x20 VFD display, 5 pushbuttons, 5 LEDs (all user defined), 4 control pushbuttons
EZ-220	2x20 LCD display, 5 pushbuttons, 5 LEDs (all user defined), 4 control pushbuttons
EZ-420	4x20 LCD display, 5 pushbuttons, 5 LEDs (all user defined), 4 control pushbuttons
EZ-220L	2x20 LCD display (large Characters), 5 pushbuttons, 5 LEDs (all user defined), 4 control pushbuttons

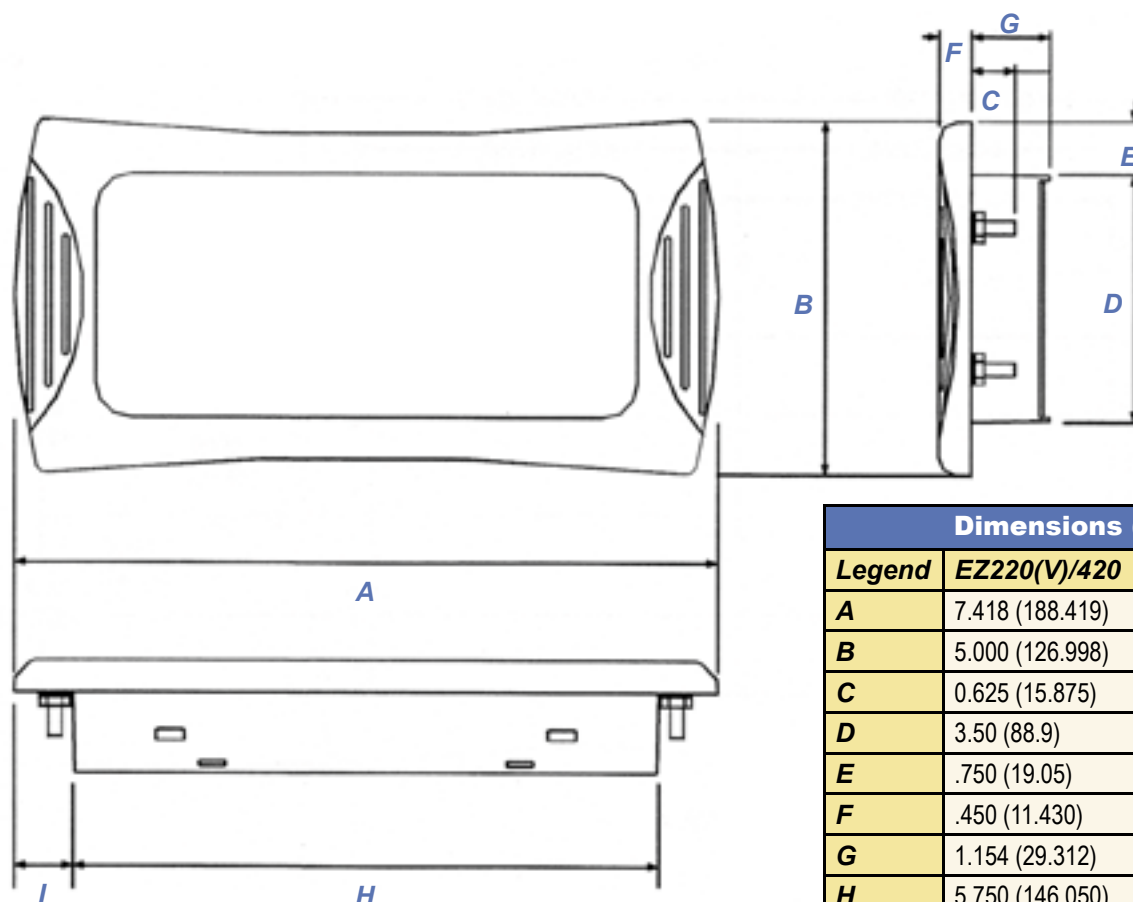
Manual sold separately, EZ-TEXT-M, for €15.00.



Dimensions and Installation

All EZText Enhanced panel's backs are rectangular in shape. They are mounted and secured on the surface with screws and DIN clips. The four screws and the rubber gasket provide a seal between the bezel and mounting surface.

We also provide alternative mounting solutions for panels. We can provide you with optional DIN clips, which are metal brackets that attach to the panel and secure the front panel to a mounting surface with a screw.



Dimensions (inch, mm)		
Legend	EZ220(V)/420	EZ220L/220P(V)/SP
A	7.418 (188.419)	10.018 (254.458)
B	5.000 (126.998)	5.000 (126.998)
C	0.625 (15.875)	0.625 (15.875)
D	3.50 (88.9)	3.50 (88.9)
E	.750 (19.05)	.750 (19.05)
F	.450 (11.430)	.450 (11.430)
G	1.154 (29.312)	1.154 (29.312)
H	5.750 (146.050)	8.350 (212.090)
I	.834 (21.184)	.834 (21.184)

Mounting Accessories	
Part Number	Description
EZ-TEXT-S-GSK	Standard replacement gasket (small) for EZ-220 and EZ-240
EZ-TEXT-L-GSK	Standard replacement gasket (large) for EZ220L, EZ220P and EZ-SP
EZ-BRK-2	DIN clips (pk. of 4)
EZ-TEXT-STUDS	Mounting studs (pk. of 4)
EZ-COMCON3	15-pin male D-sub connector with terminal blocks, for connecting RS422 network cable from EZTouch or EZText panels
EZ-COMCON4	9-pin female D-sub connector with terminal blocks
EZ-TEXT-CORE	EZText replacement ferrite cores
EZ-TEXT-PWRTERM	EZText replacement power terminal strip
EZ-TEXT-M-E	Hardware Manual For All EZText Enhanced panels (EZ-220, EZ-420, EZ-220L, EZ-220P, EZ-220V, EZ-220V, and EZ-220PV) except EZText Setpoint Panels. Hardware and User Manuals Included with every EZText Enhanced Panels
EZ-TEXT-SP-M-E	Hardware Manual for EZText Enhanced Setpoint panel (EZ-SP) Only. Hardware and User Manuals Included with every EZText Enhanced Panels
EZ-TEXTEDIT-E	Windows based Programming software for all EZText Enhanced panels. Requires Windows 95/98/NT or 2000. Manual and CD-ROM included
EZTEXT-PGMCBL	Programming cable for setup and programming for all EZText Enhanced panels. 2 m (6.56ft) RS232 cable with 15-pin D-shell male connector on one end and 9-pin D-shell female connector at the other end.