

EZ-220PV/220P



Overview:

The EZ-220P and EZ-220PV come with a two line LCD or Vacuum Fluorescent display, a numeric keypad, control pushbuttons, pushbuttons with LEDs, and three LED annunciators. The displays contain two lines by 20, 5.5mm characters (2x20). The new EZ-220V comes with a bright two line Vacuum Fluorescent display with 5.5mm characters with a wider viewing angle of ± 60 degrees. Push buttons are used to control task or initiate an event in the PLC and in this way you can also monitor the bit condition in the ladder logic program. You can also define and program the five pushbuttons using the EZText Enhanced software. There also three annunciator lamps that can be used for various status of the machine or alarms.

Front Panel Descriptors: LCD and VFD Display

There are two kinds of messages that can be viewed on these models: local and PLC. When the machine is running in the normal mode, the local messages are displayed. The messages are viewed in tree structure format. A message beginning with “+” indicates a folder and

when you select it by pressing enter, all the associated messages can be viewed and the “-” appears at the beginning of message.

The PLC message is displayed whenever PLC triggers a message, The PLC message light will illuminate and the previous message on the display will be overwritten by the PLC message. The display will return back to the previous message after the PLC message is acknowledged.

There are three types of messages (Static, Dynamic or interactive) that may be configured in the EZText Enhanced and you can store up to 256 messages.

Annunciator

Annunciators are high intensity LEDs that will illuminate to show the state set in the PLC. The LED colors (red, green and amber) are based on the bits in the associated PLC address string. You can also add Labels to LEDs using the provided templates

User-Defined Pushbuttons

We provide you with the blank labeled,

user defined five pushbuttons. This provide you with the flexibility in customization so that you can custom label the pushbuttons and configure them as alternate, momentary, or alternate with PLC release.

Pushbuttons with LEDs

Above each pushbutton there is an associated LED. These buttons can be programmed to show various status or they can be programmed to be controlled by discrete bits in the PLC program. When push buttons are pressed, the three different control types (alternate, momentary, or alternate with PLC release) will determine the LED response. You can also make the LED to flash.

Numeric Keypad

EZText Enhanced’s numeric keypad has 16 pushbuttons for scrolling data entry, or interactive messages. The numeric keypad can be used to update a value in the PLC. The value will be updated in the PLC only after the enter button has been pressed. The esc button will abort or cancel the changes without changing the PLC value.

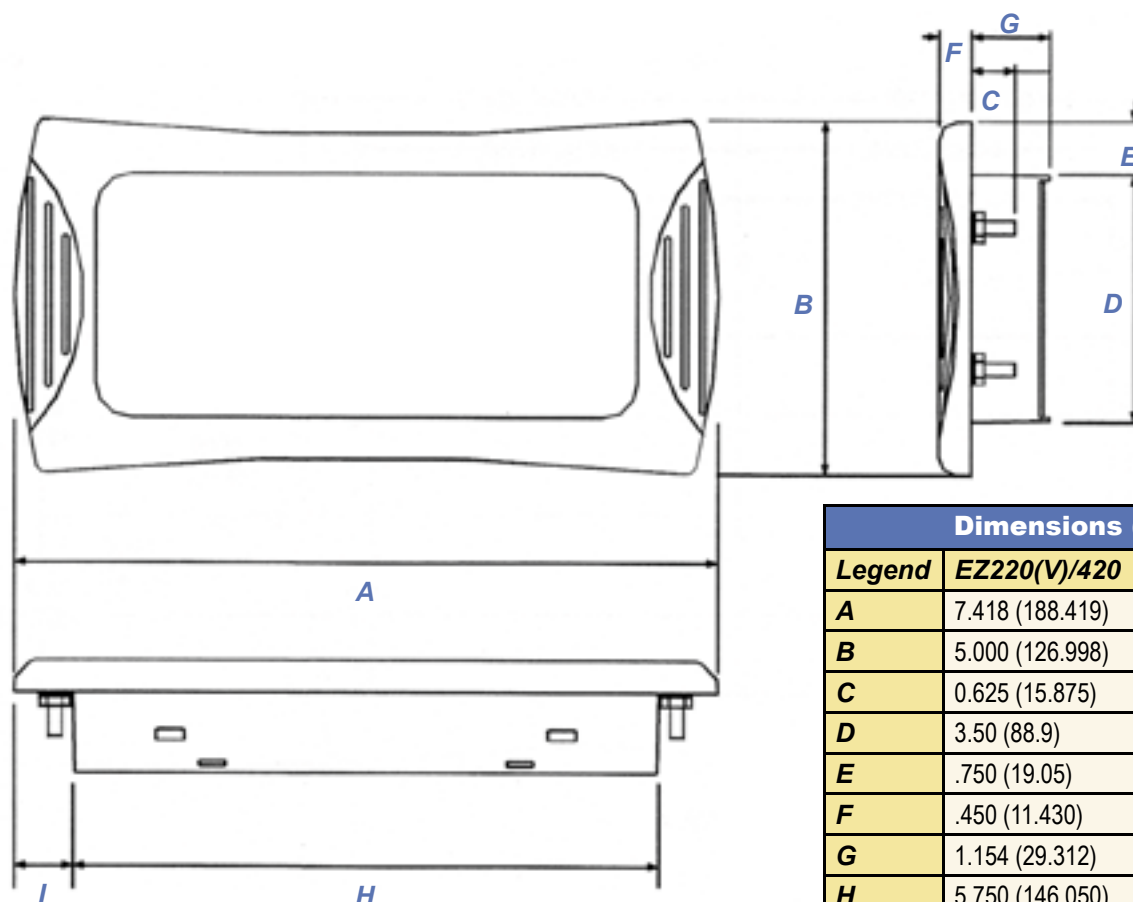
Part Number	Description
EZ-220PV	2x20 vacuum fluorescent display, three tri-color annunciator lamps, Numeric Keypad, 5 pushbutons, 5 LEDs (all user defined)
EZ-220P	2x20 LCD display, three tri-color annunciator lamps, Numeric Keypad, 5 pushbutons, 5 LEDs (all user defined)



Dimensions and Installation

All EZText Enhanced panel's backs are rectangular in shape. They are mounted and secured on the surface with screws and DIN clips. The four screws and the rubber gasket provide a seal between the bezel and mounting surface.

We also provide alternative mounting solutions for panels. We can provide you with optional DIN clips, which are metal brackets that attach to the panel and secure the front panel to a mounting surface with a screw.



Dimensions (inch, mm)		
Legend	EZ220(V)/420	EZ220L/220P(V)/SP
A	7.418 (188.419)	10.018 (254.458)
B	5.000 (126.998)	5.000 (126.998)
C	0.625 (15.875)	0.625 (15.875)
D	3.50 (88.9)	3.50 (88.9)
E	.750 (19.05)	.750 (19.05)
F	.450 (11.430)	.450 (11.430)
G	1.154 (29.312)	1.154 (29.312)
H	5.750 (146.050)	8.350 (212.090)
I	.834 (21.184)	.834 (21.184)

Mounting Accessories	
Part Number	Description
EZ-TEXT-S-GSK	Standard replacement gasket (small) for EZ-220 and EZ-240
EZ-TEXT-L-GSK	Standard replacement gasket (large) for EZ220L, EZ220P and EZ-SP
EZ-BRK-2	DIN clips (pk. of 4)
EZ-TEXT-STUDS	Mounting studs (pk. of 4)
EZ-COMCON3	15-pin male D-sub connector with terminal blocks, for connecting RS422 network cable from EZTouch or EZText panels
EZ-COMCON4	9-pin female D-sub connector with terminal blocks
EZ-TEXT-CORE	EZText replacement ferrite cores
EZ-TEXT-PWRTERM	EZText replacement power terminal strip
EZ-TEXT-M-E	Hardware Manual For All EZText Enhanced panels (EZ-220, EZ-420, EZ-220L, EZ-220P, EZ-220V, EZ-220V, and EZ-220PV) except EZText Setpoint Panels. Hardware and User Manuals Included with every EZText Enhanced Panels
EZ-TEXT-SP-M-E	Hardware Manual for EZText Enhanced Setpoint panel (EZ-SP) Only. Hardware and User Manuals Included with every EZText Enhanced Panels
EZ-TEXTEDIT-E	Windows based Programming software for all EZText Enhanced panels. Requires Windows 95/98/NT or 2000. Manual and CD-ROM included
EZTEXT-PGMCBL	Programming cable for setup and programming for all EZText Enhanced panels. 2 m (6.56ft) RS232 cable with 15-pin D-shell male connector on one end and 9-pin D-shell female connector at the other end.