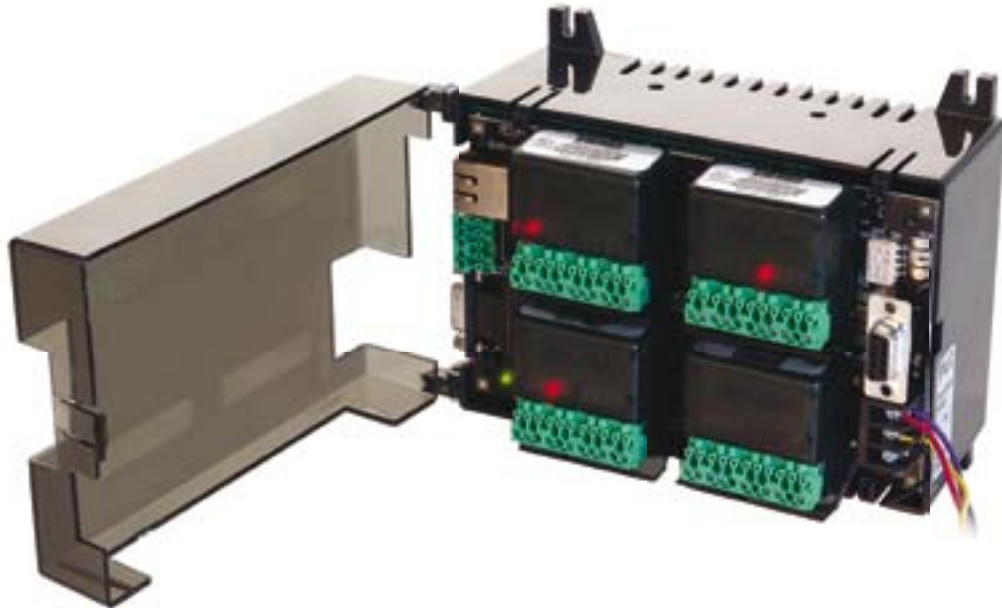


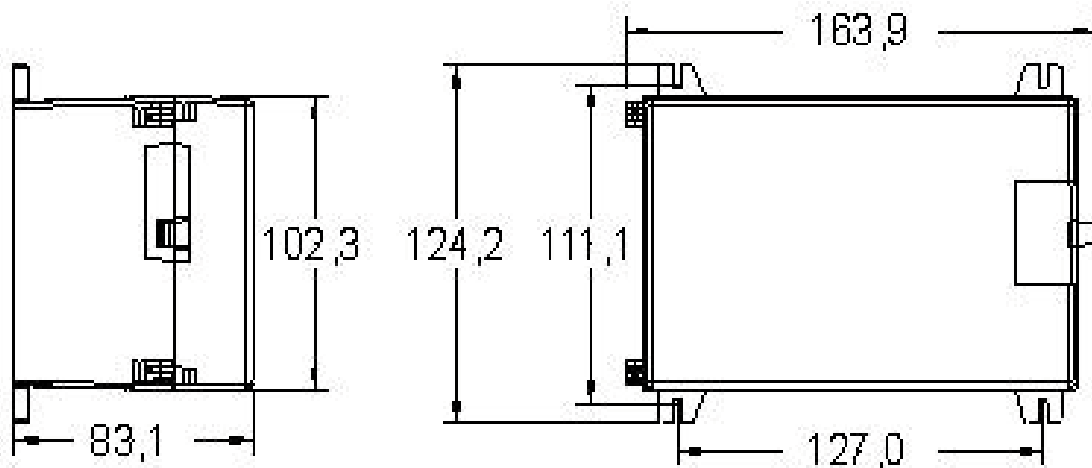
# EZPLC-D-32 Specifications



## MODULES NOT INCLUDED WITH BASE

Model Number	Interface
<b>EZPLC-D-32</b>	DC Power – 32 I/O Base comes with RS232 port 1 and RS422/485 port 2, and a Male connector for plugging in DeviceNet or Profibus option cards
<b>EZPLC-D-32E</b>	DC Power – 32 I/O Enhanced Ethernet Base comes with RS232 port 1, RS422/485 port 2, Ethernet port 3 and a Male connector for plugging in DeviceNet or Profibus option cards
<b>EZPLC-DEVICENET</b>	DeviceNet Interface Card
<b>EZPLC-PROFIBUS</b>	Profibus Interface Card
<b>EZPLC-EDIT</b>	Programming Software
<b>EZ-PGMCBL</b>	Programming Cable 3 meter

**No limitation on I/O module location except:  
Bottom left module can only be DC I/O module**



all Dimensions in mm